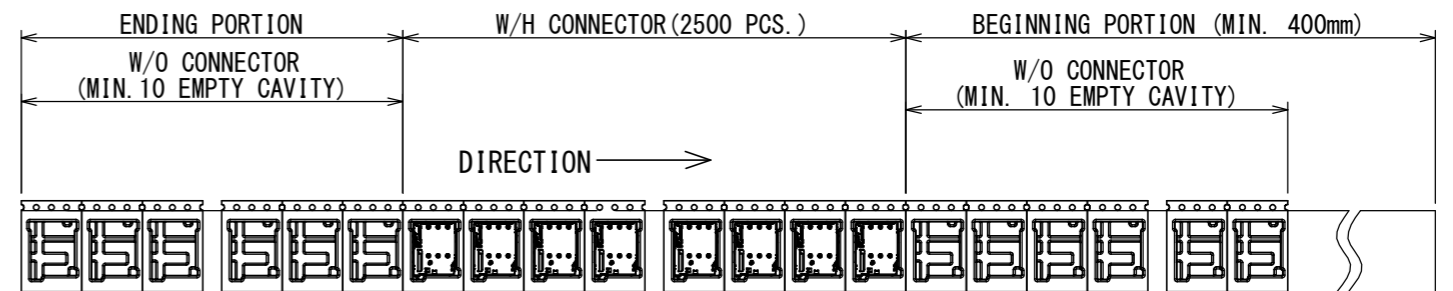
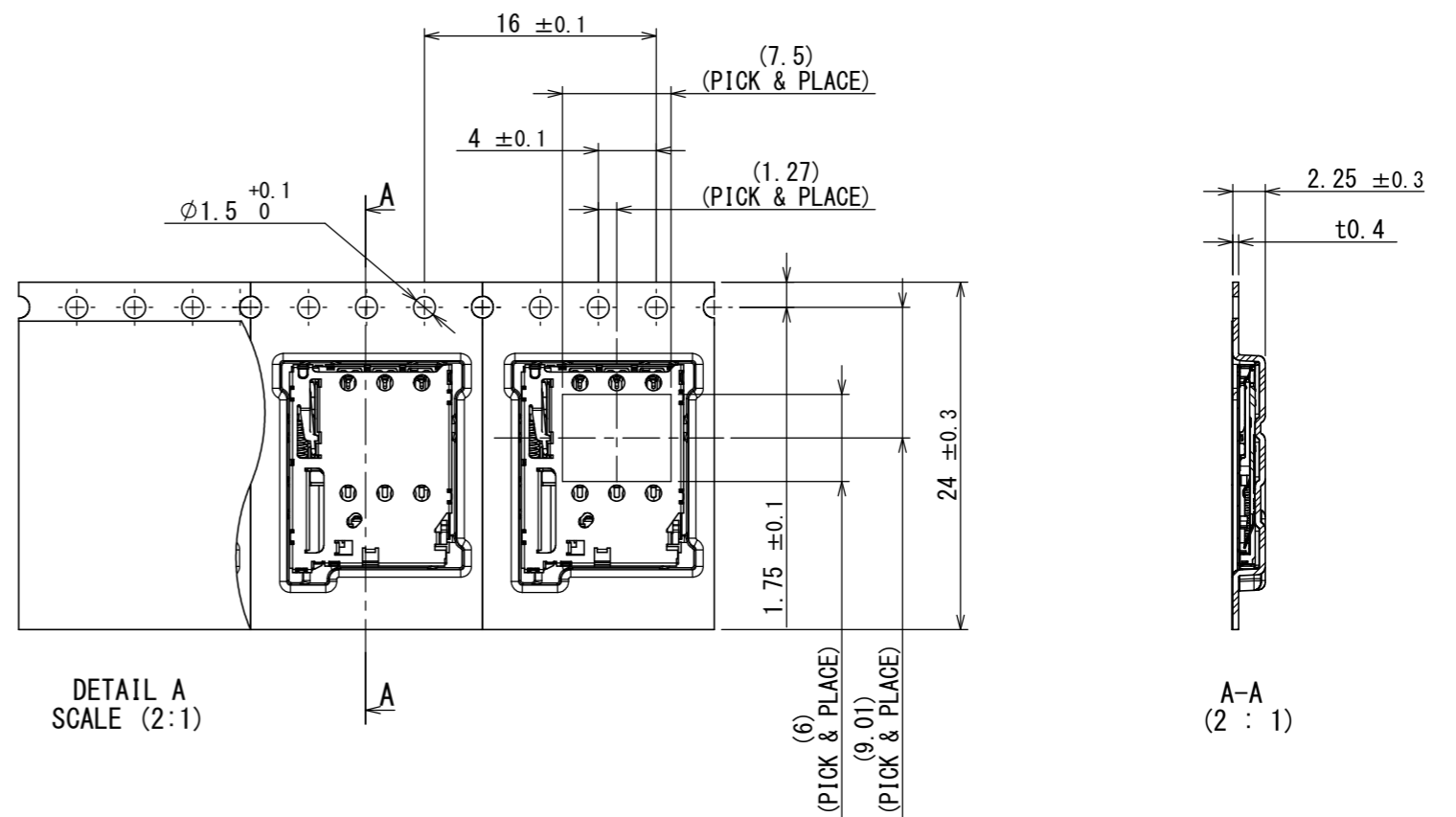
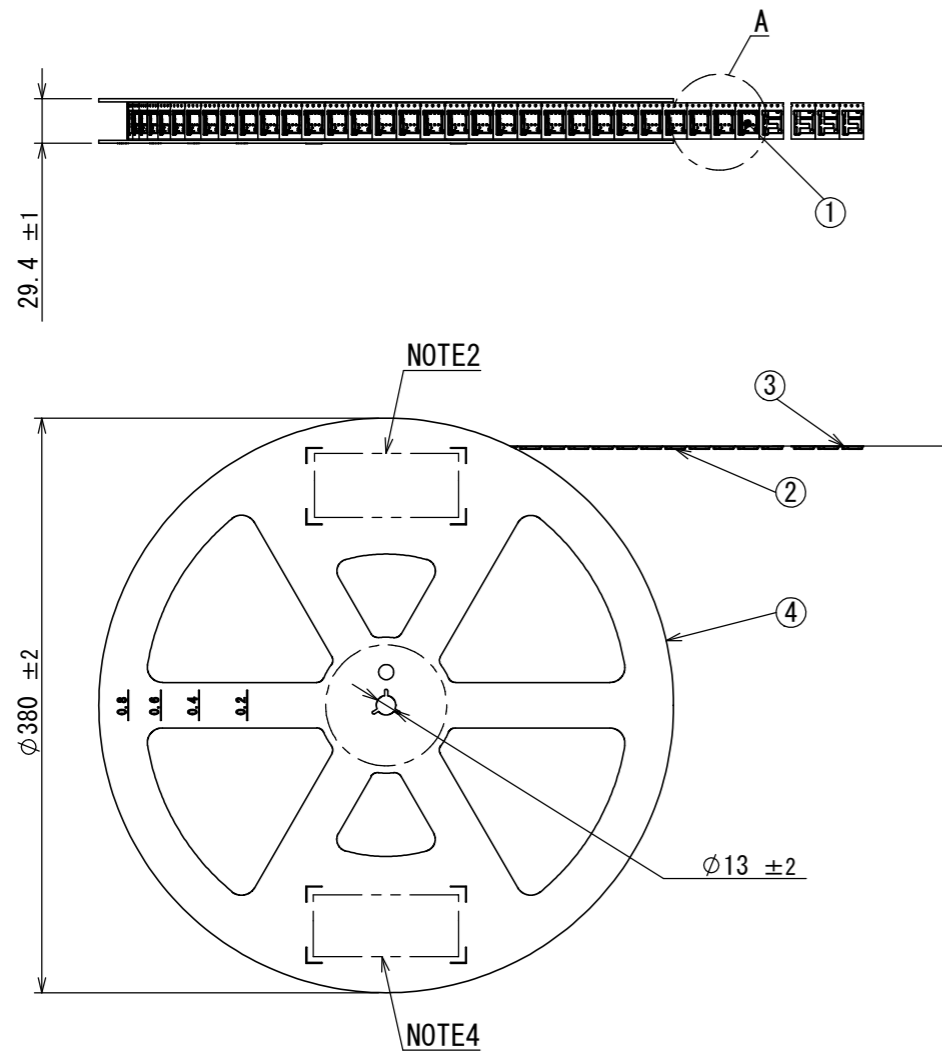


SJ117562
(ON DRAWING NO.)

版数 VER.	年月日 DATE	CN NO.	変更内容 DESCRIPTION	製図 DR.	担当 CHK.	査閲 APPD.	承認 APPD.
------------	-------------	--------	---------------------	-----------	------------	-------------	-------------



- NOTE1. SUFFIX "R2500" OF THE PART NUMBER INDICATES THAT 2500 PCS. OF SF72S006VBD CONNECTORS ARE ACCOMODATED IN ONE REEL.
2. THE LABEL IS TO BE ATTACHED ON THE MAGAZINE AS SHOWN, AND DESCRIPTION, QTY, LOT NO, EMBOSS CODE ARE SHOWN.
3. REFER TO THE DRAWING . SJ117561 (SF72S006VBD) FOR THE DIMENSION OF THE CONNECTOR.
4. IF THERE IS ANOTHER ASSIGNED LABEL, THE LABEL IS TO BE ATTACHED. (REFER TO JACS)

NOTE2
DESCRIPTION: SF72S006VBDR2500
QTY : 2500
LOT NO : DDMMYY-*(*: REEL No.)
EMBOSS CODE: TB2416

16: PITCH
24: TAPE WIDTH

符号 NO.	名称 DESCRIPTION	個数 QTY.	材料 MATERIAL	仕上 FINISH	備考 REMARKS
4	REEL	1	PLASTIC		
3	COVER TAPE	1	POLYESTER		
2	CARRIER TAPE	1	PS		
1	CONNECTOR	2500	-		SJ117561 (SF72S006VBD)

仕様書 (SPECIFICATION) JACS-11019		第1版 (ORIGINAL DATE) 22/FEB/2016		尺度 (SCALE) 1:5		シリーズ (SERIES) SF72		日本航空電子工業株式会社 JAE	
一般公差 (GENERAL TOLERANCE)		製図 DR.		名称 (TITLE) SF72S006VBDR2500		質量 (MASS)		図面番号 (DRAWING NO.) SJ117562	
寸法 (DIMENSION)		担当 CHK.		M. SHIMADA		シリアル (SERIAL)		版数 (VER.) 1	
角度 (ANGLES)		査閲 APPD.		承認 APPD.		JAE		JAPAN AVIATION ELECTRONICS INDUSTRY, LTD.	
単位 (UNIT) : mm		M. SHIMADA							

DCF-C-212H(12.08)

