

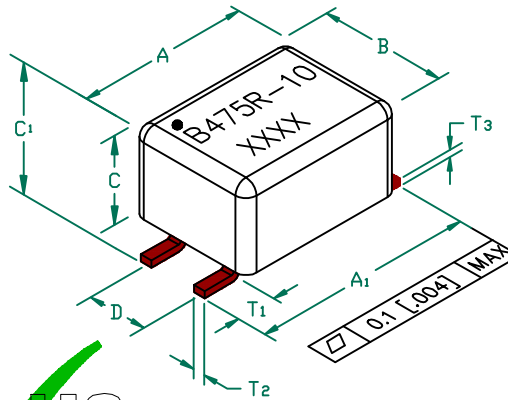


CC2824B475R-10

UNCONTROLLED DOCUMENT

ELECTRICAL SPECIFICATION @ 25°C
OPERATING TEMPERATURE RANGE: -40°C TO +100°C

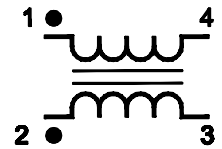
PARAMETER SYMBOL	TEST LEADS	CONDITIONS	REQUIREMENTS		
			MIN	TYP	MAX
Lp (μH)	1-4/2-3	@ 10KHz/ 10mV	3290	4700	7050
L LEAKAGE (μH)	1-4 (s' 2-3)	@ 10KHz/ 10mV		0.30	
TRP			1 : 1 +/- 5%		
DCR(Ω)	1-4/2-3			0.55	1.30
Hi-pot	wdg-wdg	(Vac) .5mA, 2sec.	750		
RATED CURRENT (mA)					400
RATED VOLTAGE (Vdc)					80



PHYSICAL DIMENSIONS:

A	7.50 [.295]	+	MAX.
A ₁	9.00 [.354]	+	0.40 [.016]
B	5.50 [.217]	+	MAX.
C	3.80 [.150]	+	MAX.
C ₁	4.90 [.193]	+	MAX.
D	2.54 [.100]	+	0.10 [.004]
T ₁	1.75 [.069]	+	TYP.
T ₂	0.50 [.020]	+	0.10 [.004]
T ₃	0.30 [.012]	+	0.10 [.004]

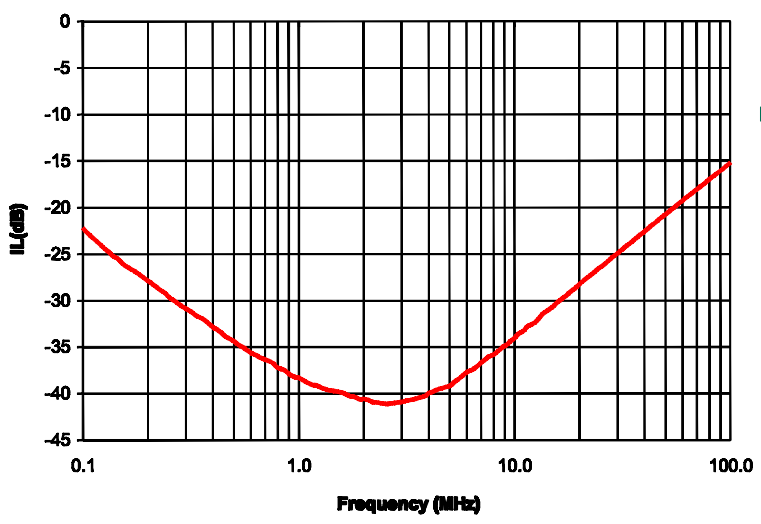
WEIGHT/1000 0.28 kgs [.62 Lbs]



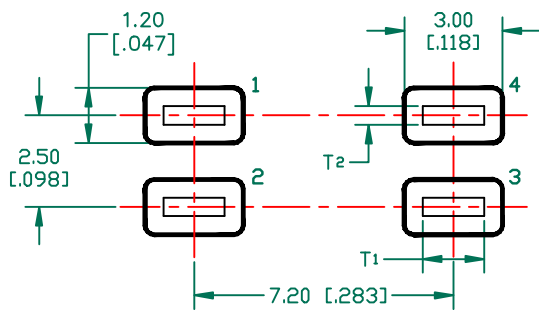
NOTES: UNLESS OTHERWISE SPECIFIED

- TAPED AND REELED ON 13" REELS, 1500 PCS/REEL.
- OPEN BOTTOM CONSTRUCTION.

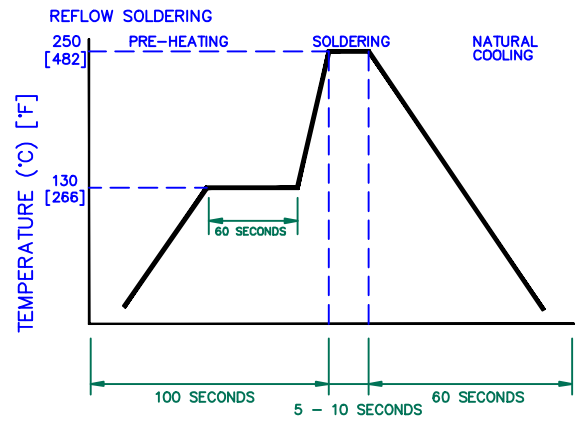
Typical Insertion Loss @ 50 ohm



LAND PATTERNS FOR REFLOW SOLDERING



RECOMMENDED SOLDERING CONDITIONS



DIMENSIONS ARE IN mm [INCHES].				This print is the property of Laird Tech. and is loaned in confidence subject to return upon request and with the understanding that no copies shall be made without the written consent of Laird Tech. All rights to design or invention are reserved.			
F	ADD RATING VOLTAGE	07/25/13	QIU				
E	OPERATING TEMPERATURE FROM 0°C ~ +100°C	12/17/12	QIU				
D	CHANGE THE INDUCTANCE TEST VOLTAGE AND OPERATING TEMPERATURE	03/11/10	JUN	PROJECT/PART NUMBER:	REV	PART TYPE:	DRAWN BY:
C	UPDATE COMPANY LOGO	04/07/09	JRK	CC2824B475R-10	F	PURCHASE SPEC.	JRK
B	UPDATE COMPANY LOGO	05/08/07	JRK	DATE:	SCALE:	NTS	SHEET:
A	ORIGINAL DRAFT	06/07/05	JRK	06/07/05			
REV	DESCRIPTION	DATE	INT	CAD #	TOOL #		1 of 1